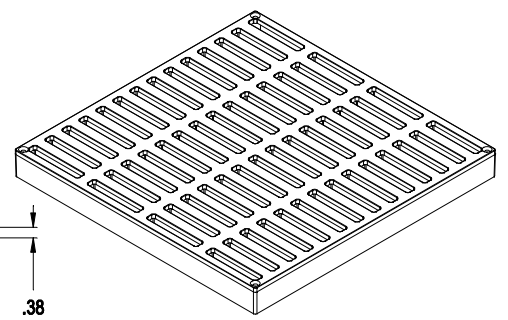
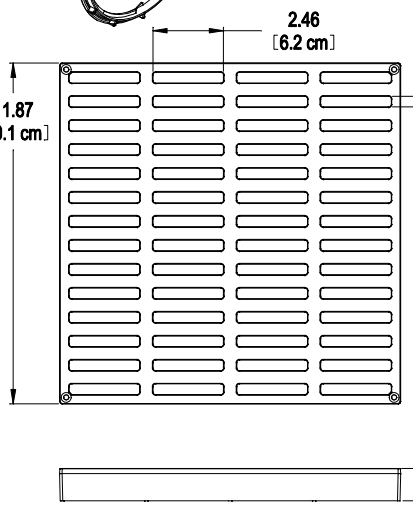
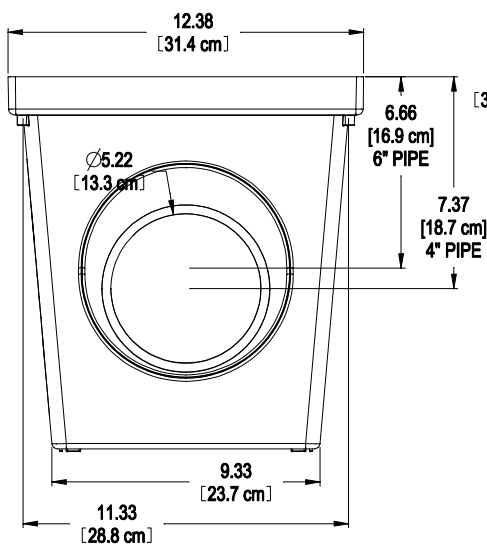
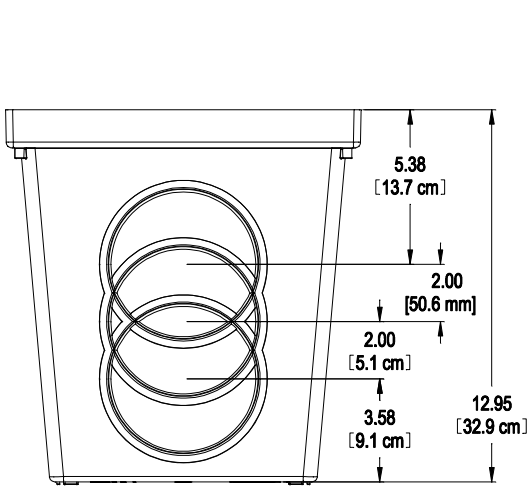


CUT OUTS FOR
4" PIPE
FOR USE WITH
PART # 3001

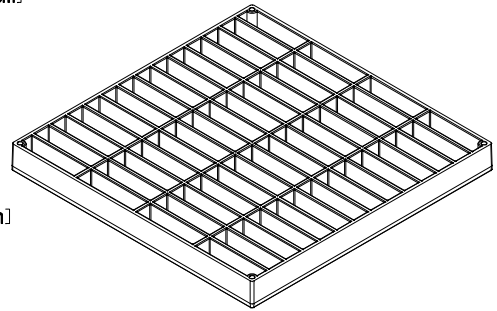
CUT OUTS FOR
6" PIPE 2 SIDES
FOR USE WITH
PART # 3001-6

MODEL - PDB-12B
AS SHOWN WITH
2 SIDES WITH HOLES
2 SIDES WITH CUTOUTS

MODEL - PDB-12BL
AS SHOWN WITH
4 SIDES ALL CUTOUTS



.38
[1.0 cm]



1.13
[2.9 cm]