

PROFESSIONAL SERIES TESTERS

12:1 Infrared Thermometer

IR 1000

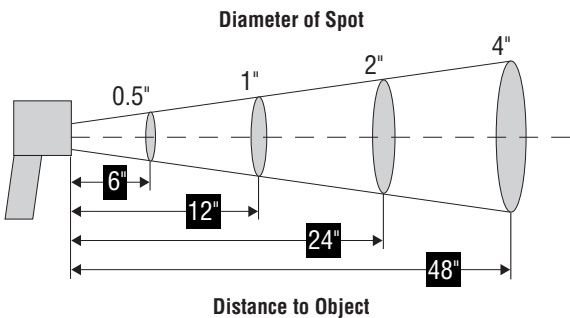


SPECIFICATIONS		IR1000
	Distance to Spot Ratio	12:1
°C	Temperature Range	-58 ~ 1000°F -50 ~ 538°C
	Fixed Emissivity	0.95
	Backlit Display	●
	°F/°C Button	●
MAX/ MIN	Max / Min / Average / Differential	●
Apo	Auto Shut Off / Seconds	15 sec

INCLUDED ACCESSORIES

Case

Batteries



Fahrenheit or Celsius

12:1 Spot Ratio allows quick checks of all types of environments, hazardous extreme temperature ranges, or remote areas

Backlit Display

Max, Min, Average, Differential Calculations

Temperature Range of -58 to 1000°F (-50 to 538°C)



Backlit Display



Targeting Laser

CAUTION: Reflective materials may be hotter than indicated. Laser radiation – Do NOT stare into beam. Class 2 laser product.