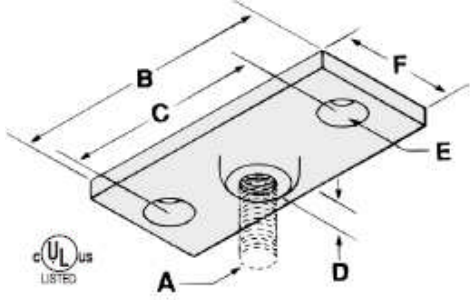




CEILING FLANGE & CONCRETE INSERT

**Fig. 940, 941, & 942
CEILING FLANGE**

- Fig. 940 PLAIN
- Fig. 941 ELECTRO-GALVANIZED
- Fig. 942 COPPER COLOR EPOXY FINISH



FUNCTION: Designed to provide a means for attaching hanger rod to wood beams or ceilings.

APPROVALS: Underwriters Laboratories Listed in the U.S. (UL) and Canada (CUL) for supporting up to 2" (50) pipe max. (³/₈ " rod size only).

MATERIAL: Malleable iron or Low carbon steel

ORDERING: Specify thread size and figure number.

Rod Size A	B	C	D	E	F	Max. Rec. Load		Wt. Each	
						lbs.	Kn	lbs.	kg
³ / ₈	2 ³ / ₄ (69.85)	2 (50.8)	¹ / ₂ (12.7)	⁵ / ₁₆ (7.94)	1 ³ / ₈ (34.93)	180	(0.8)	.18	(.08)
¹ / ₂	2 ³ / ₄ (69.85)	2 (50.8)	¹ / ₂ (12.7)	⁵ / ₁₆ (7.94)	1 ³ / ₈ (34.93)	180	(0.8)	.18	(.08)

*Available in stainless steel.
 To order, specify 304 or 316 and add suffix SS to figure number.
 Price on request.

Unless otherwise specified, all dimensions on drawings and in charts are in inches and dimensions shown in parentheses are in millimeters.