

SPLIT RING HANGERS



FUNCTION: Designed for non-insulated stationary tubing lines in either a horizontal or vertical position. The hinged design of Fig. 512H allows for a quicker installation.

APPROVALS: Complies with Federal Specification A-A-1192A (Type 12) and Manufacturers' Standardization Society ANSI/SP-69 and SP-58 (Type 12).

MATERIAL: Malleable iron

FINISH: Copper color epoxy finish

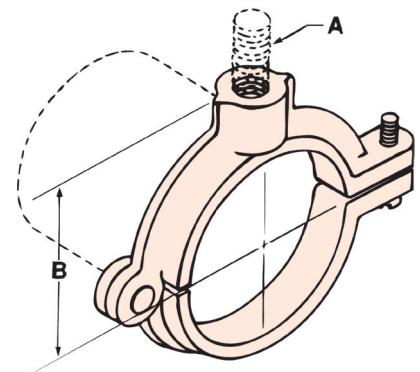
ORDERING: Specify tube size and figure number.

**Fig. 512 & 512H
COPPER TUBING
EXTENSION SPLIT
CLAMP**

Fig. 512 TWO PIECE DESIGN

Fig. 512H HINGED DESIGN

| Tube Size | Rod Size | A | B | Max. Rec. Load | Wt. Each | | | | | |
|-----------------------------|----------|-----------------------------|---------------------------------------|----------------|----------|-------|------|-------|------|----|
| | | | | | 512 | | 512H | | | |
| | | | | | lbs. | kg | lbs. | kg | lbs. | kg |
| ³ / ₈ | (10) | ³ / ₈ | ⁹ / ₁₆ (14.29) | 180 (0.80) | .07 | (.03) | .08 | (.04) | | |
| ¹ / ₂ | (15) | ³ / ₈ | ¹¹ / ₁₆ (17.46) | 180 (0.80) | .09 | (.04) | .09 | (.04) | | |
| ³ / ₄ | (20) | ³ / ₈ | ⁷ / ₈ (22.23) | 180 (0.80) | .09 | (.04) | .12 | (.05) | | |
| 1 | (25) | ³ / ₈ | 1 (25.40) | 180 (0.80) | .10 | (.05) | .11 | (.05) | | |
| ¹ / ₄ | (32) | ³ / ₈ | ¹ / ₈ (28.58) | 180 (0.80) | .12 | (.05) | .15 | (.07) | | |
| ¹ / ₂ | (40) | ³ / ₈ | ¹ / ₈ (33.34) | 180 (0.80) | .13 | (.06) | .20 | (.09) | | |
| 2 | (50) | ³ / ₈ | ¹ / ₂ (38.10) | 180 (0.80) | .18 | (.08) | .25 | (.11) | | |
| ² / ₂ | (65) | ¹ / ₂ | ¹ / ₈ (47.63) | 300 (1.33) | .65 | (.29) | .45 | (.20) | | |
| 3 | (80) | ¹ / ₂ | ² / ₈ (53.98) | 300 (1.33) | 1.00 | (.45) | .55 | (.25) | | |
| 4 | (100) | ¹ / ₂ | ² / ₄ (69.85) | 300 (1.33) | 1.40 | (.64) | .90 | (.41) | | |



*Fig. 512H
shown*

Unless otherwise specified, all dimensions on drawings and in charts are in inches and dimensions shown in parentheses are in millimeters.