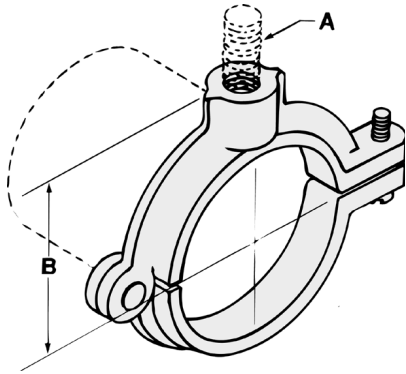




SPLIT RING HANGERS

**Fig. 508R
HINGED EXTENSION
SPLIT CLAMP**

Fig. 508R BOLT THREAD



FUNCTION: Designed for non-insulated stationary pipe lines in either a horizontal or vertical position. The hinged design allows for a quick installation.

APPROVALS: Complies with Federal Specifications A-A-1192A (Type 12) and Manufacturers' Standardization Society ANSI/SP-69 and SP-58 (Type 12).

MATERIAL: Malleable iron

FINISH: Plain or Electro-galvanized

ORDERING: Specify pipe size, finish and figure number.

Pipe Size		A Bolt Thread	B		Max. Rec. Load		Wt. Each	
					lbs.	kN	lbs.	kg
$\frac{3}{8}$	(10)	$\frac{3}{8}$	$\frac{13}{16}$	(20.64)	180	(0.80)	.13	(.06)
$\frac{1}{2}$	(15)	$\frac{3}{8}$	$\frac{7}{8}$	(22.23)	180	(0.80)	.14	(.06)
$\frac{3}{4}$	(20)	$\frac{3}{8}$	1	(25.40)	180	(0.80)	.16	(.07)
1	(25)	$\frac{3}{8}$	$1\frac{1}{8}$	(28.58)	180	(0.80)	.18	(.08)
$1\frac{1}{4}$	(32)	$\frac{3}{8}$	$1\frac{5}{16}$	(33.34)	180	(0.80)	.22	(.10)
$1\frac{1}{2}$	(40)	$\frac{3}{8}$	$1\frac{7}{16}$	(36.51)	180	(0.80)	.38	(.17)
2	(50)	$\frac{3}{8}$	$1\frac{11}{16}$	(42.86)	180	(0.80)	.44	(.20)
$2\frac{1}{2}$	(65)	$\frac{1}{2}$	$2\frac{1}{8}$	(53.98)	300	(1.33)	.45	(.20)
3	(80)	$\frac{1}{2}$	$2\frac{7}{16}$	(61.91)	300	(1.33)	.55	(.25)
4	(100)	$\frac{1}{2}$	3	(76.20)	300	(1.33)	.95	(.43)

Unless otherwise specified, all dimensions on drawings and in charts are in inches and dimensions shown in parentheses are in millimeters.