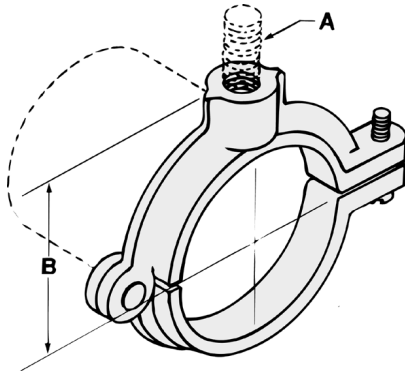




SPLIT RING HANGERS

**Fig. 508R
HINGED EXTENSION
SPLIT CLAMP**

Fig. 508R BOLT THREAD



FUNCTION: Designed for non-insulated stationary pipe lines in either a horizontal or vertical position. The hinged design allows for a quick installation.

APPROVALS: Complies with Federal Specifications A-A-1192A (Type 12) and Manufacturers' Standardization Society ANSI/SP-69 and SP-58 (Type 12).

MATERIAL: Malleable iron

FINISH: Plain or Electro-galvanized

ORDERING: Specify pipe size, finish and figure number.

| Pipe Size | | A Bolt Thread | B | | Max. Rec. Load | | Wt. Each | |
|----------------|-------|------------------|------------------|---------|----------------|--------|----------|-------|
| | | | | | lbs. | kN | lbs. | kg |
| $\frac{3}{8}$ | (10) | $\frac{3}{8}$ | $\frac{13}{16}$ | (20.64) | 180 | (0.80) | .13 | (.06) |
| $\frac{1}{2}$ | (15) | $\frac{3}{8}$ | $\frac{7}{8}$ | (22.23) | 180 | (0.80) | .14 | (.06) |
| $\frac{3}{4}$ | (20) | $\frac{3}{8}$ | 1 | (25.40) | 180 | (0.80) | .16 | (.07) |
| 1 | (25) | $\frac{3}{8}$ | $1\frac{1}{8}$ | (28.58) | 180 | (0.80) | .18 | (.08) |
| $1\frac{1}{4}$ | (32) | $\frac{3}{8}$ | $1\frac{5}{16}$ | (33.34) | 180 | (0.80) | .22 | (.10) |
| $1\frac{1}{2}$ | (40) | $\frac{3}{8}$ | $1\frac{7}{16}$ | (36.51) | 180 | (0.80) | .38 | (.17) |
| 2 | (50) | $\frac{3}{8}$ | $1\frac{11}{16}$ | (42.86) | 180 | (0.80) | .44 | (.20) |
| $2\frac{1}{2}$ | (65) | $\frac{1}{2}$ | $2\frac{1}{8}$ | (53.98) | 300 | (1.33) | .45 | (.20) |
| 3 | (80) | $\frac{1}{2}$ | $2\frac{7}{16}$ | (61.91) | 300 | (1.33) | .55 | (.25) |
| 4 | (100) | $\frac{1}{2}$ | 3 | (76.20) | 300 | (1.33) | .95 | (.43) |

Unless otherwise specified, all dimensions on drawings and in charts are in inches and dimensions shown in parentheses are in millimeters.