



SF 32

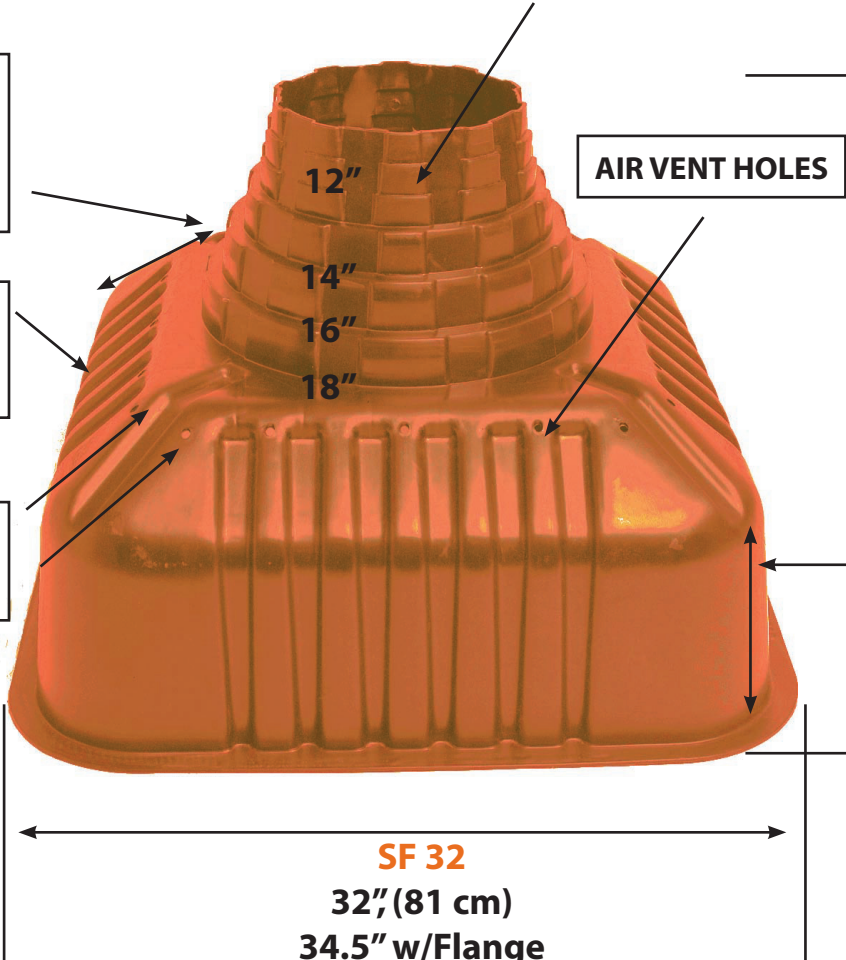
DATA SHEET

WEDGE SYSTEM: ACCOMODATES ALL SMALL, MEDIUM AND LARGE CONSTRUCTION TUBES SIZES 12", 14", 16", 18"

FLAT AREA INCREASES RESISTANCE TO UPLIFT

RIBS FOR STRUCTURAL INTEGRITY

REBAR TIE HOLES ON EACH CORNER



AIR VENT HOLES

MINIMUM EDGE THICKNESS 6" INCREASES BEARING CAPACITY & STRUCTURAL INTEGRITY

SF 32
32", (81 cm)
34.5" w/Flange
(88 cm)

SF 32
21.1"
(54 cm)

Model#	Concrete Volume
SF 32	7.0 CuFt

QTY (1) Footing	Conversion
14 Bags	60 LB. Bag = 0.50 CuFt
11 Bags	80 LB. Bag = 0.66 CuFt
0.25 Yards	1 Cubic Yard = 27 CuFt

CONCRETE TYPE
MINIMUM 3000 PSI

* If you are putting in more than 1-3 footings you should have your concrete delivered by a ready-mix concrete truck.

* There is a "delivery surcharge" for each time you order concrete - make sure you calculate concrete QTY so you only have to order once! **DO NOT UNDER ORDER!**

* Most redi-mix trucks contain 7-9 Yards of concrete